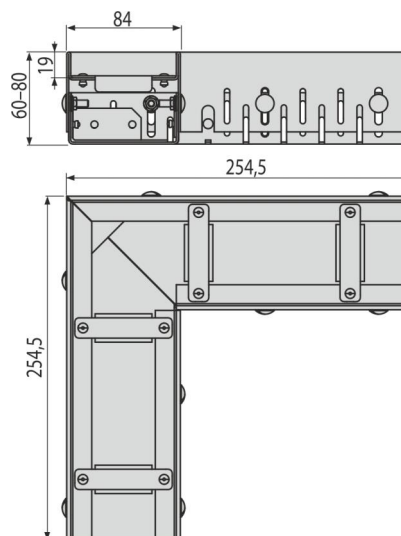
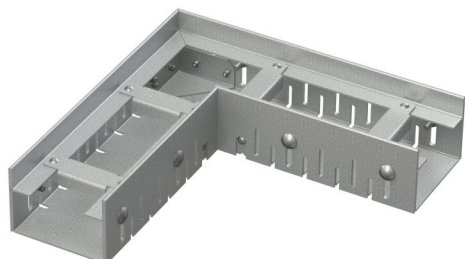


# ADZ101VR

Drainage corner channel 75 mm adjustable, galvanized steel



### Application

- To protect buildings against the ingress of water
- For drainage of balconies and terraces
- For drainage around the building facades
- For permeable areas in the garden

### Features

- Fixing bolts – ensure perfect attachment of the grid in the channel and eliminate the sound effect during the use of the channel
- Simple installation
- Simple connection thanks to the accessories
- Material of drainage channel: galvanized steel
- Galvanized steel grid width 75 mm
- Easy access to the drain – easy to clean
- Height adjustable drainage channel body 60–80 mm

### Scope of supply

- Spacer 4 pcs
- Drainage channel adjustable

### Order number, Logistic information

Code	EAN	Weight (piece   packing   palett)	Dimensions (piece   packing)	Quantity (packing   palett)
ADZ101VR	8595580554941	1,81   1,81   200,9 kg	254,5×254,5×60   mm	1   100 pcs

Warranty 2/2 years \*      Customs code 73269098

### Technical specifications

- Load class K3 300 kg