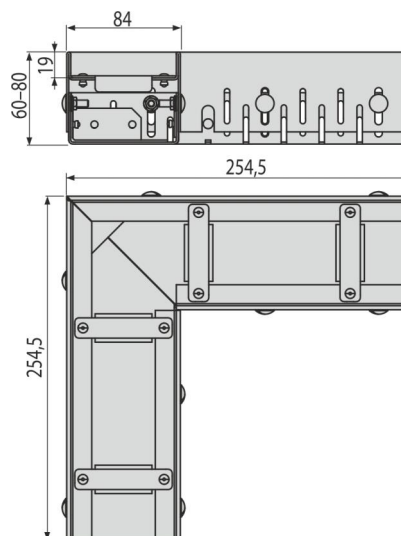
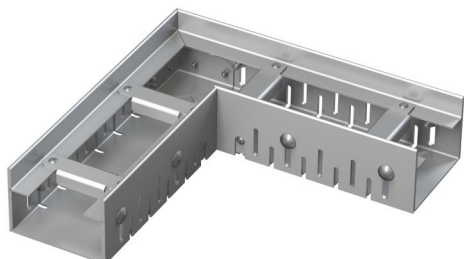


ADZ301VR

Drainage corner channel 75 mm adjustable, stainless steel



Application

- To protect buildings against the ingress of water
- For drainage of balconies and terraces
- For drainage around the building facades
- For permeable areas in the garden

Features

- Fixing bolts – ensure perfect attachment of the grid in the channel and eliminate the sound effect during the use of the channel
- Simple installation
- Simple connection thanks to the accessories
- Material of drainage channel: stainless steel AISI 304, DIN 1.4301
- Stainless steel grid width 75 mm
- Easy access to the drain – easy to clean
- Height adjustable drainage channel body 60–80 mm

Scope of supply

- Spacer 4 pcs
- Drainage channel adjustable

Order number, Logistic information

| Code | EAN | Weight (piece packing palett) | Dimensions (piece packing) | Quantity (packing palett) |
|----------|---------------|--------------------------------------|---------------------------------|--------------------------------|
| ADZ301VR | 8595580554958 | 1,81 1,81 201,2 kg | 254,5x254,5x60 mm | 1 100 pcs |

Warranty

2/25 years *

Technical specifications

- Load class K3 300 kg