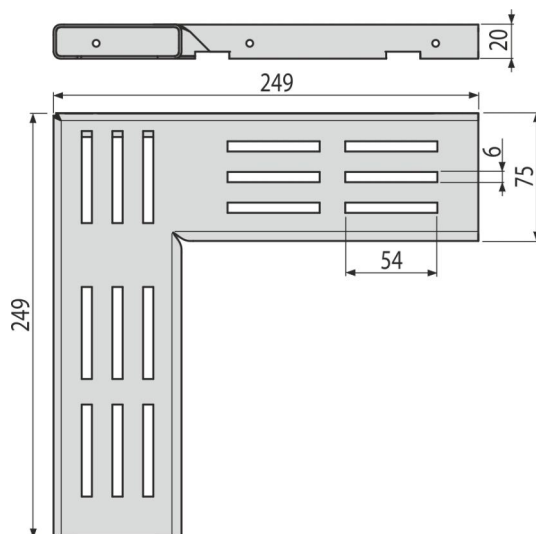
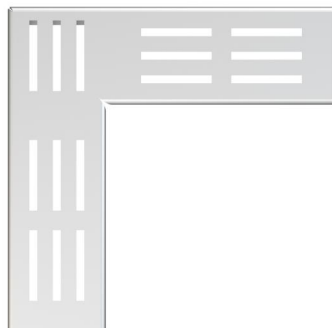


ADZ-R301R

Grid for drainage corner channel 75 mm, stainless steel



Application

For drainage channel ADZ301VR

Features

- Fixing bolts – ensure perfect attachment of the grid in the channel and eliminate the sound effect during the use of the channel
- Material: stainless steel AISI 304, DIN 1.4301
- Grid "C" profile

Scope of supply

- Grid

Order number, Logistic information

Code	EAN	Weight (piece packing palett)	Dimensions (piece packing)	Quantity (packing palett)
ADZ-R301R	8595580555054	0,56 0,56 - kg	249x249x20 mm	1 - pc

Warranty 2/25 years* Customs code 73269098

Technical specifications

- Load class K3 300 kg