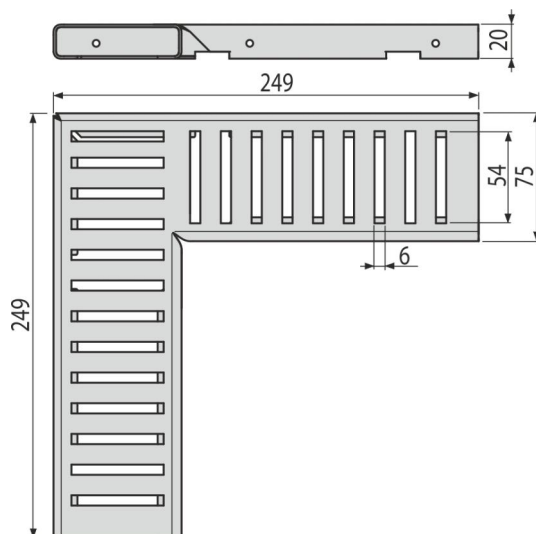
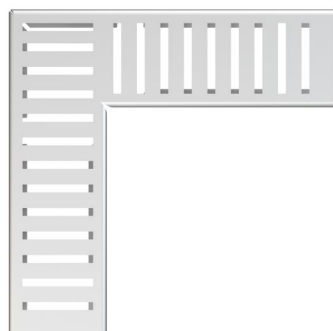


# ADZ-R302R

Grid for drainage corner channel 75 mm, stainless steel



### Application

For drainage channel ADZ301VR

### Features

- Fixing bolts – ensure perfect attachment of the grid in the channel and eliminate the sound effect during the use of the channel
- Material: stainless steel AISI 304, DIN 1.4301
- Grid "C" profile

### Scope of supply

- Grid

### Order number, Logistic information

Code	EAN	Weight (piece   packing   palett)	Dimensions (piece   packing)	Quantity (packing   palett)
ADZ-R302R	8595580555061	0,53   0,53   - kg	249x249x20   mm	1   - pc

### Warranty

2/25 years \*

### Technical specifications

- Load class K3 300 kg