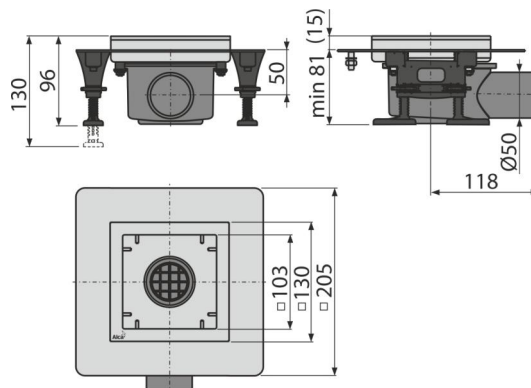


# APV120

Floor drain stainless steel low 130x130 mm side outlet, without grid, combined odour trap SMART



### Application

For wheelchair access  
 For drainage of floor level showers  
 For the interior, where will be frequent use associated with the regular water runoff into the floor drain (bathrooms) – combined odour trap SMART; For drainage at floor level; For wheelchair access

### Features

- Side connection to waste Ø50 mm
- Material of trap: polypropylene resistant to mechanical, chemical and thermal damage
- Material of floor drain: stainless steel AISI 304, DIN 1.4301, DIN 17240
- Mechanically cleanable trap up to the waste pipe
- Wide insulation collar for connection to waterproofing construction
- Installation height from 81.5 mm

### Scope of supply

- Dismantling hook
- Installation drain cover
- Combined odour trap
- Plastic foot APZ13 UNI 4 pcs
- Self-adhesive waterproofing tape
- Trap for shower drain APZ13-S9
- Odour trap tray

### Order number, Logistic information

Code	EAN	Weight (piece   packing   palett)	Dimensions (piece   packing)	Quantity (packing   palett)
APV120	8595580555146	1,76   1,76   231,0 kg	223x207x123   223x207x123 mm	1   120 pcs

### Warranty

2/25 years \*

### Norms

EN 1253

### Technical specifications

- Total installation height 96-130 mm
- Resistance of odour trap against the pressure 380 Pa
- Waste pipe diameter 50 mm
- Flow rate 50 l/min
- Load class K3 300 kg
- Odour trap 30 mm