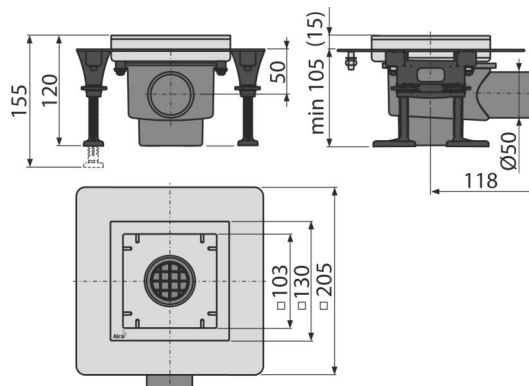


APV130

Floor drain stainless steel 130×130 mm side outlet, without grid, combined odour trap



Application

For wheelchair access
 For drainage of floor level showers
 For the interior, where will be frequent use associated with the regular water runoff into the floor drain (bathrooms) – combined odour trap SMART; For drainage at floor level; For wheelchair access

Features

- Side connection to waste Ø50 mm
- Material of trap: polypropylene resistant to mechanical, chemical and thermal damage
- Material of floor drain: stainless steel AISI 304, DIN 1.4301, DIN 17240
- Mechanically cleanable trap up to the waste pipe
- Wide insulation collar for connection to waterproofing construction
- Installation height from 105.5 mm

Scope of supply

- Dismantling hook
- Installation drain cover
- Combined odour trap
- Plastic foot APZ13 UNI 4 pcs
- Self-adhesive waterproofing tape
- Trap for shower drain APZ13-S12
- Odour trap tray

Order number, Logistic information

Code	EAN	Weight (piece packing palett)	Dimensions (piece packing)	Quantity (packing palett)
APV130	8595580555177	1,77 1,77 232,9 kg	223×207×123 223×207×123 mm	1 120 pcs

Warranty

2/25 years *

Norms

EN 1253

Technical specifications

- Total installation height 120-155 mm
- Resistance of odour trap against the pressure 540 Pa
- Waste pipe diameter 50 mm
- Flow rate 58 l/min
- Load class K3 300 kg
- Odour trap 50 mm