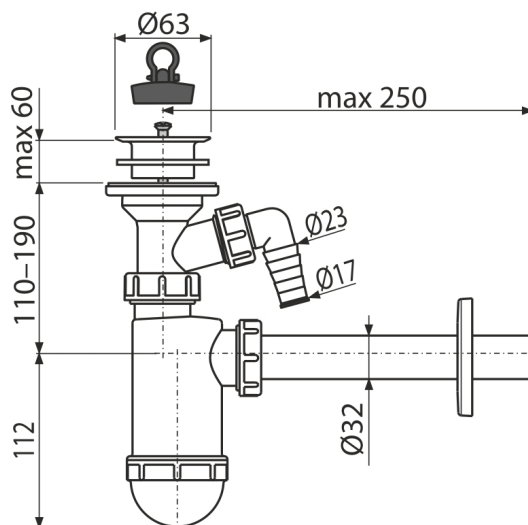


A420P

Wash-basin waste and trap DN32 with connector and plastic grid DN63



Application

For wash-basin

Features

- Material: polypropylene
- Connection to waste pipe Ø32 mm
- With connector for washing machine or dishwasher

Scope of supply

- Plastic outlet grid
- Plastic rosette
- Sink trap body with connector
- PVC plug

Order number, Logistic information

Code	EAN	Weight (piece packing palett)	Dimensions (piece packing)	Quantity (packing palett)
A420P	8595580556136	0,28 5,58 176,1 kg	220×80×140 590×240×390 mm	20 560 pcs

Warranty

2/3 years *

Norms

EN 274

Technical specifications

- Hose connector 17 mm
- Flow rate 38 l/min
- Thermal resistance 95 °C
- Odour trap 58 mm