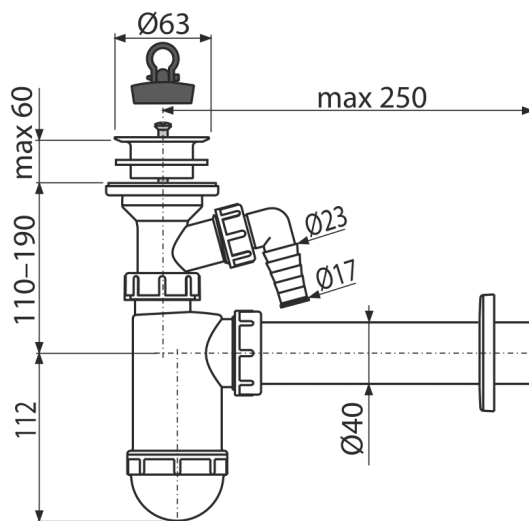


# A42P

Wash-basin waste and trap DN40 with connector and plastic grid DN63



### Application

For wash-basin

### Features

- Material: polypropylene
- Connection to waste pipe Ø40 mm
- With connector for washing machine or dishwasher

### Scope of supply

- Plastic outlet grid
- Plastic rosette
- Sink trap body with connector
- PVC plug

### Order number, Logistic information

Code	EAN	Weight (piece   packing   palett)	Dimensions (piece   packing)	Quantity (packing   palett)
A42P	8595580556174	0,29   5,84   183,6 kg	250×90×190   590×240×390 mm	20   560 pcs

### Warranty

2/3 years \*

### Norms

EN 274

### Technical specifications

- Hose connector 17 mm
- Flow rate 38 l/min
- Thermal resistance 95 °C
- Odour trap 58 mm