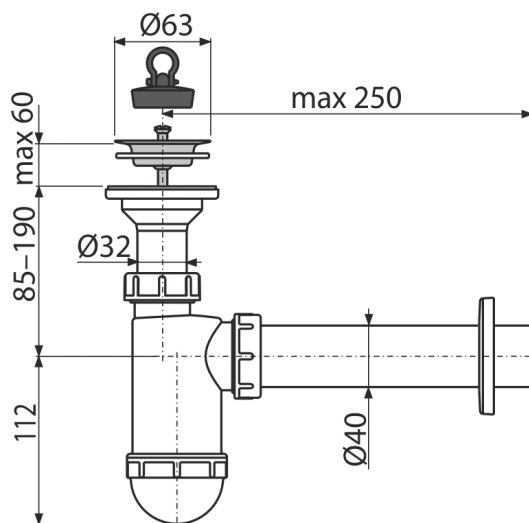


A41

Wash-basin waste and trap DN40 with stainless steel grid DN63



Application
For wash-basin

- Features**
- Material: polypropylene
 - Connection to waste pipe Ø40 mm

- Scope of supply**
- Stainless steel outlet grid
 - Plastic rosette
 - Waste and trap body
 - PVC plug

Order number, Logistic information

Code	EAN	Weight (piece packing palett)	Dimensions (piece packing)	Quantity (packing palett)
A41	8595580556457	0,31 7,70 235,6 kg	220x80x140 590x240x390 mm	25 700 pcs

Warranty
2/3 years *

Norms
EN 274

- Technical specifications**
- Flow rate 57 l/min
 - Thermal resistance 95 °C
 - Odour trap 58 mm