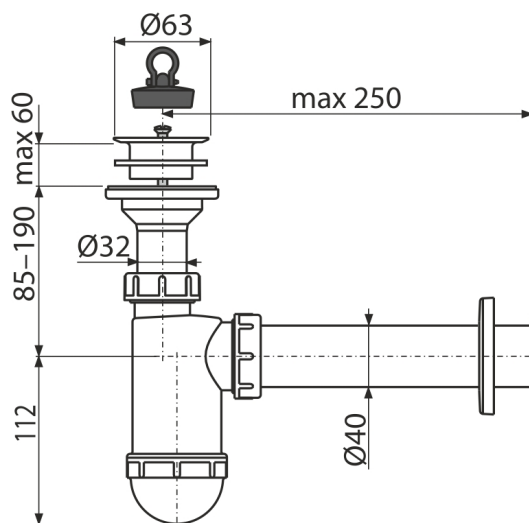


# A42

## Wash-basin waste and trap DN40 with plastic grid DN63



### Application

For wash-basin

### Features

- Material: polypropylene
- Connection to waste pipe Ø40 mm

### Scope of supply

- Plastic outlet grid
- Plastic rosette
- Waste and trap body
- PVC plug

### Order number, Logistic information

Code	EAN	Weight (piece   packing   palett)	Dimensions (piece   packing)	Quantity (packing   palett)
A42	8595580556525	0,29   7,17   220,8 kg	220x80x140   590x240x390 mm	25   700 pcs

### Warranty

2/3 years \*

### Norms

EN 274

### Technical specifications

- Flow rate 38 l/min
- Thermal resistance 95 °C
- Odour trap 58 mm