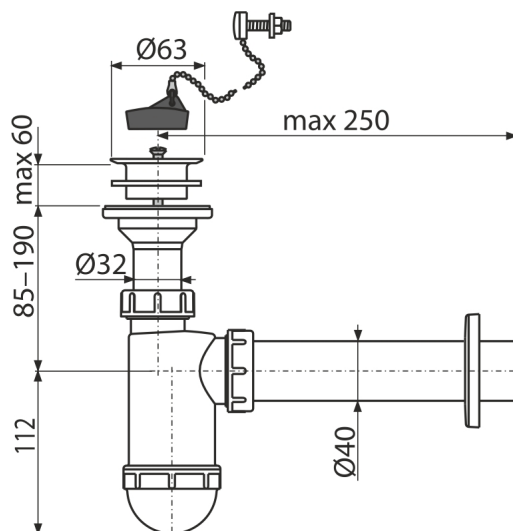


A42R

Wash-basin waste and trap DN40 with plastic grid DN63, chain



Application

For wash-basin

Features

- Material: polypropylene
- Connection to waste pipe Ø40 mm

Scope of supply

- Plastic outlet grid
- Plastic rosette
- Waste and trap body
- PVC plug with chain

Order number, Logistic information

Code	EAN	Weight (piece packing palett)	Dimensions (piece packing)	Quantity (packing palett)
A42R	8595580556723	0,30 7,55 231,3 kg	260x80x160 590x240x390 mm	25 700 pcs

Warranty

2/3 years *

Norms

EN 274

Technical specifications

- Flow rate 38 l/min
- Thermal resistance 95 °C
- Odour trap 58 mm