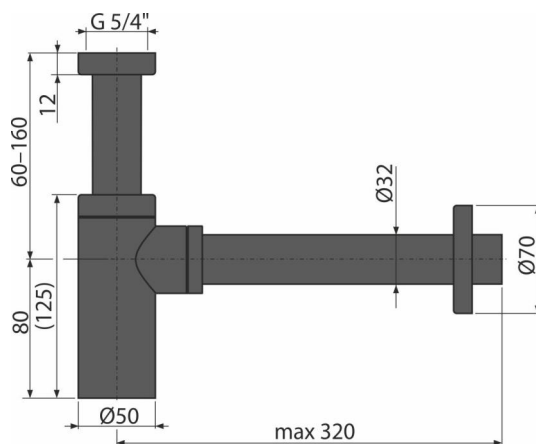


A400BLACK

Wash-basin trap DESIGN DN32, black-matt



Application

For wash-basin

Features

- Color: black-matt
- Material: brass with black-matt finish
- Connection to waste pipe Ø32 mm

Scope of supply

- Nut to connect wash-basin waste 5/4"
- Metal rosette
- Waste and trap body

Order number, Logistic information

| Code | EAN | Weight (piece packing palett) | Dimensions (piece packing) | Quantity (packing palett) |
|-----------|---------------|--------------------------------------|---------------------------------|--------------------------------|
| A400BLACK | 8595580558673 | 0,90 10,84 323,4 kg | 330x150x70 590x390x240 mm | 12 336 pcs |

Warranty

2/3 years *

Norms

EN 274

Technical specifications

- Flow rate 30 l/min