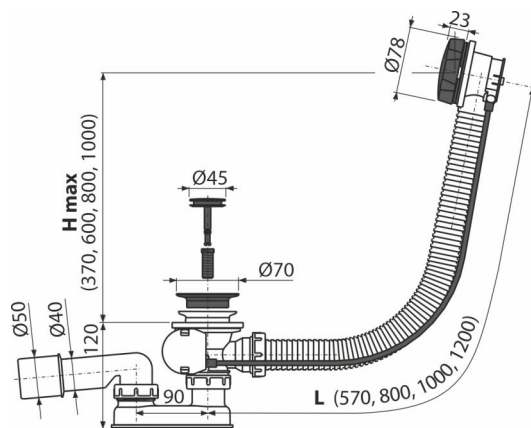


# A55BLACK

Bath pop-up waste and trap, black-matt



### Application

To drain the water from the bath to the waste  
For bathtubs with drain outlet Ø52 mm  
For standard size bathtubs

### Features

- Color: black-matt
- The length of the bathtub trap 57 cm
- Overflow flexi pipe
- Material: metal with black-matt finish
- Closing waste by pop-up mechanism
- Bath waste and overflow system
- Wet odour trap with swivel elbow

### Scope of supply

- Metal outlet grid with surface finish black-matt
- Metal control knob with surface finish black-matt
- Metal plug with black-matt surface finish
- Assembly kit
- Waste and trap body with overflow
- Profiled seal
- Odour trap of polypropylene, thermally and chemically resistant, longitudinally welded

### Order number, Logistic information

Code	EAN	Weight (piece   packing   palett)	Dimensions (piece   packing)	Quantity (packing   palett)
A55BLACK	8595580558703	0,76   15,20   263,2 kg	380x85x145   595x435x395 mm	20   320 pcs

Warranty	Customs code	Norms
2/3 years *	39229000	EN 274

### Technical specifications

- Resistance of odour trap against the pressure 588 Pa
- Flow rate 51,6 l/min
- Overflow flow rate 42 l/min
- Thermal resistance 95 °C
- Odour trap 50 mm