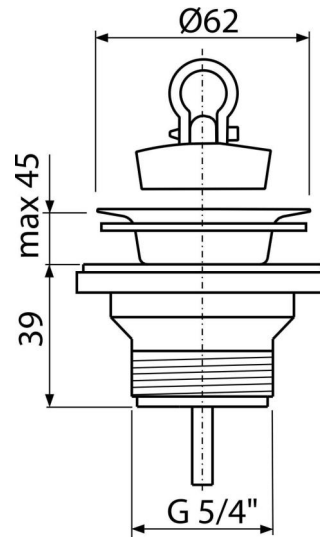


## C31

Wash-basin waste 5/4" with stainless steel grid DN63



### Application

For wash-basins

### Features

- Material: polypropylene
- Thread for connection to wash-basin trap 5/4"

### Scope of supply

- Stainless steel outlet grid
- Shower waste body
- PVC plug

### Order number, Logistic information

Code	EAN	Weight (piece   packing   palett)	Dimensions (piece   packing)	Quantity (packing   palett)
C31	8595580559199	0,08   8,48   257,4 kg	80×60×80   590×240×390 mm	100   2800 pcs

Warranty	Customs code	Norms
2/3 years	39229000	EN 274

### Technical specifications

- Thread 5/4"