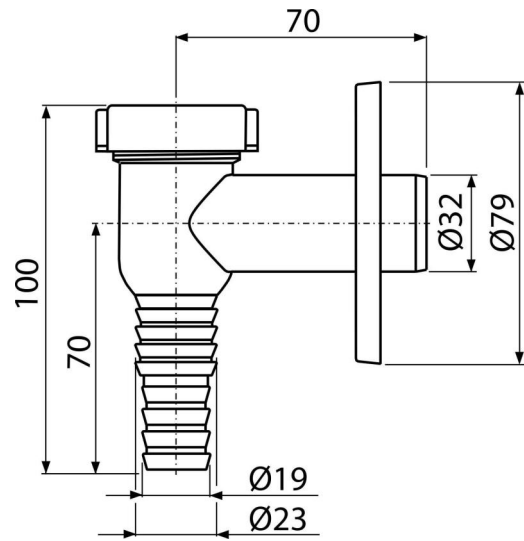


## CPS1

External washing machine trap, chrome



### Application

To connect the washing machine or dishwasher

### Features

- Material: ABS – chrome-plated
- Hose connection Ø19 and Ø23 mm
- Connection to waste pipe Ø32 mm
- Service access for easy cleaning
- Dry odour flap against odours from the sewer

### Scope of supply

- Odour trap ball with a spring
- Chrome-plated plastic rosette
- Waste and trap body

### Order number, Logistic information

Code	EAN	Weight (piece   packing   palett)	Dimensions (piece   packing)	Quantity (packing   palett)
CPS1	8595580559212	0,08   7,85   239,8 kg	100x80x90   590x240x390 mm	100   2800 pcs
<b>Warranty</b> 2/3 years	<b>Customs code</b> 84813099	<b>Norms</b> EN 274		