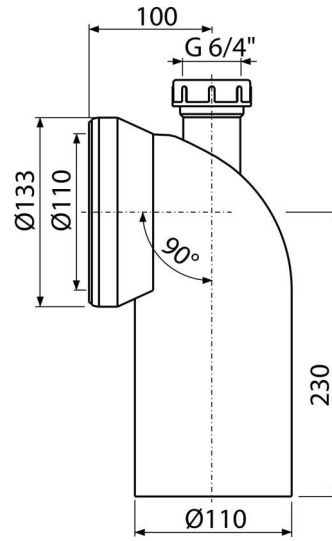


C90-90P40

WC connector for DN40 – elbow 90°



Application

To connect the WC bowl to the drain pipe

Features

- Material: polypropylene
- Possibility of connecting washbasin waste Ø40 mm or an air admittance valve
- Waste outlet connection 110 mm
- Inclination angle 90°

Scope of supply

- Elbow
- Seal

Order number, Logistic information

Code	EAN	Weight (piece packing palett)	Dimensions (piece packing)	Quantity (packing palett)
C90-90P40	8595580559243	0,50 5,99 115,8 kg	220x135x155 590x430x390 mm	12 192 pcs

Warranty

2/2 years

Customs code

39174000