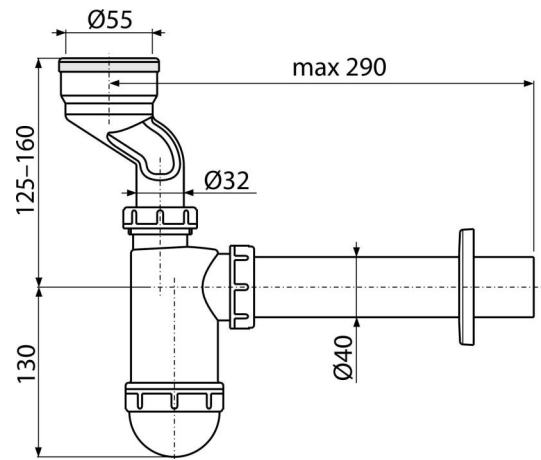


C45A

Urinal trap with rubber sleeve



Application

For urinal with vertical outlet

Features

- Material: polypropylene
- Connection to waste pipe Ø40 mm

Scope of supply

- Plastic rosette
- Waste and trap body
- Wrapping seal

Order number, Logistic information

Code	EAN	Weight (piece packing palett)	Dimensions (piece packing)	Quantity (packing palett)
C45A	8595580559267	0,28 6,89 213,0 kg	260×140×80 590×240×390 mm	25 700 pcs

Warranty

2/3 years

Norms

EN 274

Technical specifications

- Flow rate 38 l/min
- Thermal resistance 95 °C
- Odour trap 58 mm