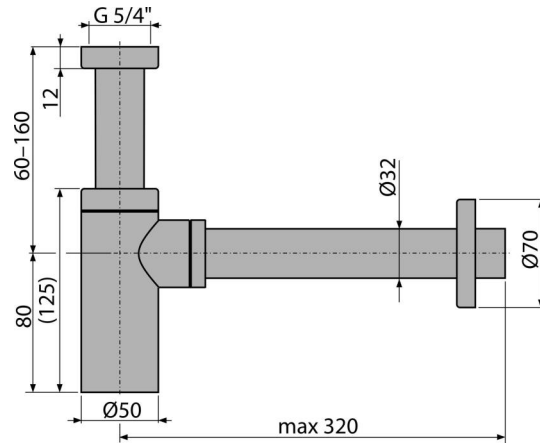


C400

Wash-basin trap DN32 DESIGN metal, round



Application

For wash-basin

Features

- Material: chrome-plated brass
- Connection to waste pipe Ø32 mm
- High scratch resistance

Scope of supply

- Nut to connect wash-basin waste 5/4"
- Metal rosette
- Waste and trap body under the plaster

Order number, Logistic information

Code	EAN	Weight (piece packing palett)	Dimensions (piece packing)	Quantity (packing palett)
C400	8595580559274	0,93 11,11 331,0 kg	330x150x70 590x390x240 mm	12 336 pcs

Warranty

2/3 years

Norms

EN 274

Technical specifications

- Flow rate 30 l/min
- Odour trap 50 mm