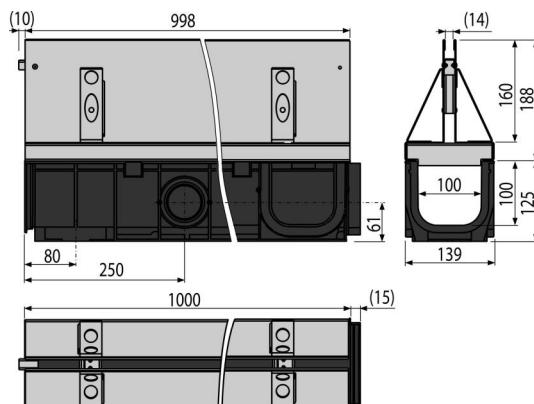


AVZ101-R124

Outdoor slotted channel with symmetrical extension 160 mm, galvanized steel



Application

For drainage of professional parking areas for passenger cars, pedestrian zones, side bands on roads and adjacent sidewalks

Features

- Numerous ribbing for a firm fixation within surrounding material
- Material of extension: galvanized steel
- Material with UV stabilizer against aging, fading and degradation of plastic
- Material of drain channel: polypropylene filled with talc resistant to mechanical, chemical and thermal damage
- Modular system – optional connection to form "I", "L", "T" or "X" shapes
- Prepared slots for using the locking bars to anchor the drain in concrete
- Ready for optional use of the odour trap with a grid for collection of the dirt
- Water connection from the side of the drain is possible at four locations – Ø50 mm
- Sophisticated and solid locking mechanism for simple connection of the individual drains
- Robust construction – self-supporting
- Slotted extension for architecturally challenging projects
- Bottom outlet waste connection Ø110 mm
- Lock system allows easy connecting without additional fixing elements

Scope of supply

- Galvanized symmetrical slotted extension
- Drain channel body

Order number, Logistic information

Code	EAN	Weight (piece packing palett)	Dimensions (piece packing)	Quantity (packing palett)
AVZ101-R124	8595580559687	9,51 9,51 305,3 kg	1015×313×139 mm	1 30 pcs

Warranty	Customs code	Norms
2/6 years *	39269097	EN1433

Technical specifications

- Load class C250 25000 kg