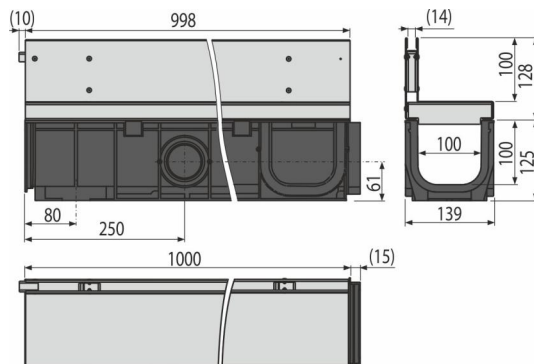


# AVZ101-R321

Outdoor slotted channel with asymmetrical extension 100 mm, stainless steel



### Application

For drainage of professional parking areas for passenger cars, pedestrian zones, side bands on roads and adjacent sidewalks

### Features

- Numerous ribbing for a firm fixation within surrounding material
- Material of extension: stainless steel AISI 304, DIN 1.4301
- Material with UV stabilizer against aging, fading and degradation of plastic
- Material of drain channel: polypropylene filled with talc resistant to mechanical, chemical and thermal damage
- Modular system – optional connection to form "I", "L", "T" or "X" shapes
- Prepared slots for using the locking bars to anchor the drain in concrete
- Ready for optional use of the odour trap with a grid for collection of the dirt
- Water connection from the side of the drain is possible at four locations – Ø50 mm
- Sophisticated and solid locking mechanism for simple connection of the individual drains
- Robust construction – self-supporting
- Slotted extension for architecturally challenging projects
- Bottom outlet waste connection Ø110 mm
- Lock system allows easy connecting without additional fixing elements

### Scope of supply

- Stainless steel asymmetrical slotted extension
- Drain channel body

### Order number, Logistic information

Code	EAN	Weight (piece   packing   palett)	Dimensions (piece   packing)	Quantity (packing   palett)
AVZ101-R321	8595580559694	7,82   7,82   254,6 kg	140x1000x125   mm	1   30 pcs

Warranty	Customs code	Norms
2/6 years *	39269097	EN1433

### Technical specifications

- Load class C250 25000 kg