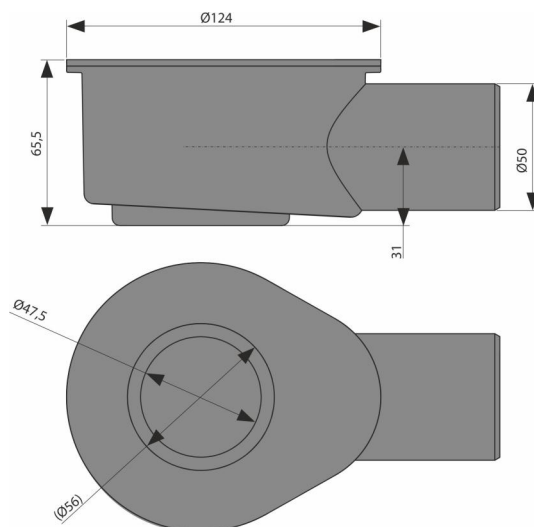


P138

Low trap DN50 for shower drains APZ2012, APZ2022



Application

For drainage of floor-level showers
For shower drains APZ2012, APZ2022

Features

- Material: polypropylene, thermally and chemically resistant, longitudinally welded
- Mechanically cleanable trap up to the waste pipe
- 360° rotatable trap
- Installation height from 81 mm

Scope of supply

- Waste and trap body

Order number, Logistic information

Code	EAN	Weight (piece packing palett)	Dimensions (piece packing)	Quantity (packing palett)
P138	8595580559854	0,14 3,81 - kg	180x124x66 - mm	28 - pc

Warranty 2/2 years * Customs code 39229000

Technical specifications

- Resistance of odour trap against the pressure 380 Pa
- Flow rate 50 l/min
- Odour trap 30 mm