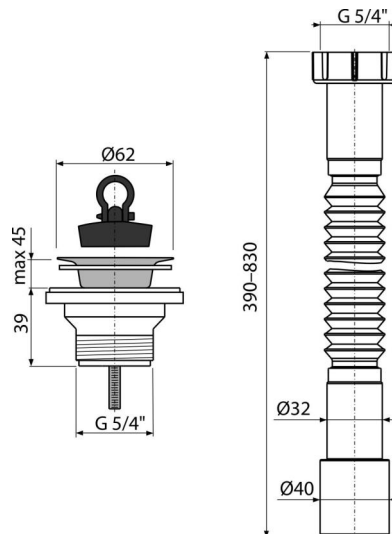


A750+A31

Flexi pipe 5/4"×32/40 plastic + Wash-basin waste 5/4" with stainless steel grid DN63



Application

For connecting waste systems with internal sewers

Features

- Material: polypropylene
- Adjustable length of 390-830 mm
- Connection Ø5/4"×32/40 mm
- Thread for connection to wash-basin trap 5/4"

Scope of supply

- Flexi pipe
- Stainless steel outlet grid
- Plastic nut 5/4" connection
- Shower waste body
- Seal
- PVC plug

Order number, Logistic information

Code	EAN	Weight (piece packing palett)	Dimensions (piece packing)	Quantity (packing palett)
A750+A31	8595580560201	0,18 13,28 232,4 kg	400×200×70 586×386×428 mm	75 1200 pcs

Warranty 2/2 years * Customs code 39173900