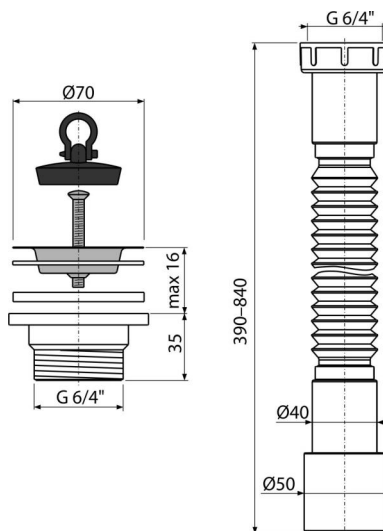


A770+A33

Flexi pipe 6/4"×40/50 plastic + Sink waste 6/4" with stainless steel grid DN70



Application

For connecting waste systems with internal sewers

Features

- Material: polypropylene
- Adjustable length of 390–840 mm
- Connection Ø6/4"×40/50 mm
- Thread for connection to the sink trap 6/4"

Scope of supply

- Flexi pipe
- Stainless steel outlet grid
- Plastic nut 6/4" connection
- Shower waste body
- Seal
- PVC plug

Order number, Logistic information

Code	EAN	Weight (piece packing palett)	Dimensions (piece packing)	Quantity (packing palett)
A770+A33	8595580560256	0,20 10,01 180,1 kg	400×50×50 590×430×390 mm	50 800 pcs

Warranty 2/2 years * **Customs code** 39173900