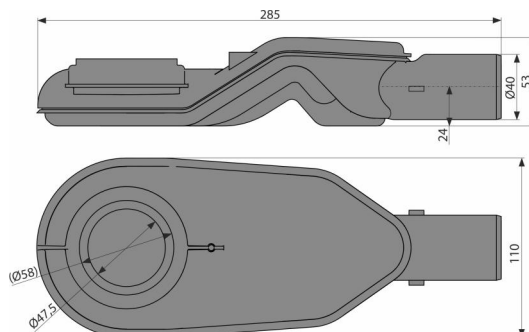


P142

Extra-low trap DN40 for shower drains APZ2012, APZ2022



Application

For drainage of floor-level showers
For shower drains APZ2012, APZ2022

Features

- Material: polypropylene, thermally and chemically resistant, longitudinally welded
- Mechanically cleanable trap up to the waste pipe
- 360° rotatable trap
- Installation height from 54 mm

Scope of supply

- Nut M6 2 pc
- Supports 2 pcs
- Trap safety lock 2 pcs
- Waste and trap body
- Odour trap

Order number, Logistic information

Code	EAN	Weight (piece packing palett)	Dimensions (piece packing)	Quantity (packing palett)
P142	8595580560485	0,21 7,40 - kg	285x110x53 mm	36 - pc

Warranty 2/2 years * **Customs code** 39229000

Technical specifications

- Resistance of odour trap against the pressure 270 Pa
- Flow rate 40 l/min
- Odour trap 31 mm