

A564BLACK

Bath pop-up waste and trap, with overflow filler, black-matt

Application

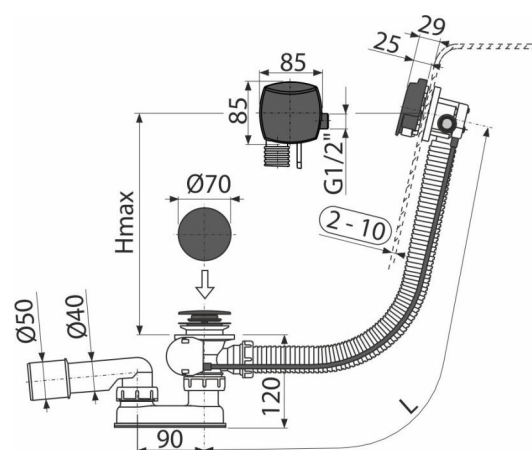
- For filling the bath by overflow
- To drain the water from the bath to the waste
- For bathtubs with drain outlet Ø52 mm
- For standard size bathtubs

Features

- Side G1/2" fitting for filling of pre-mixed water
- The length of the bathtub trap 57 cm
- Overflow flexi pipe
- Easy installation with three stainless steel screws
- Material: metal with black-matt finish
- Space-saving design in the bathtub – only control knob visible
- Control shaft made of stainless steel
- Aerator Neoperl – easy access and exchange
- Closing waste by pop-up mechanism
- Bath overflow filler, waste and trap system
- Water does not flow down on the side of the bathtub and does not leave marks
- Wet odour trap with swivel elbow

Scope of supply

- Assembly kit
- Chrome-plated metal control knob with black-matt finish
- Chrome-plated metal plug with black-matt finish
- Chrome-plated brass outlet grid with black-matt finish
- Waste and trap body with overflow
- Profiled seal
- Odour trap of polypropylene, thermally and chemically resistant, longitudinally welded



Order number, Logistic information

Code	EAN	Weight (piece packing palett)	Dimensions (piece packing)	Quantity (packing palett)
A564BLACK	8595580561420	1,16 13,92 242,6 kg	380x95x210 595x435x395 mm	12 192 pcs

Warranty	Customs code	Norms
2/3 years *	39229000	EN 274

Technical specifications

- Resistance of odour trap against the pressure 588 Pa
- Flow rate 48,6 l/min
- Overflow flow rate 33,6 l/min
- Thermal resistance 95 °C
- Odour trap 50 mm