

A564BLACK-100

Bath pop-up waste and trap, with overflow filler, black-matt

Application

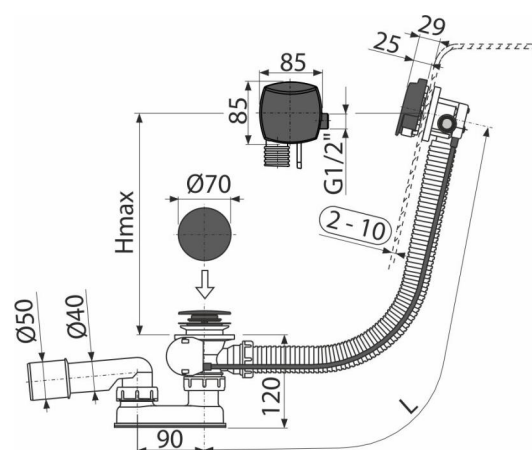
- For filling the bath by overflow
- To drain the water from the bath to the waste
- For bathtubs with drain outlet Ø52 mm
- For standard size bathtubs

Features

- Side G1/2" fitting for filling of pre-mixed water
- The length of the bathtub trap 100 cm
- Overflow flexi pipe
- Easy installation with three stainless steel screws
- Material: metal with black-matt finish
- Space-saving design in the bathtub – visible only control knob
- Control shaft made of stainless steel
- Aerator Neoperl – easy access and exchange
- Closing waste by pop-up mechanism
- Bath overflow filler, waste and trap system
- Water does not flow down on the side of the bathtub and does not leave marks
- Wet odour trap with swivel elbow

Scope of supply

- Assembly kit
- Chrome-plated metal control knob
- Chrome-plated metal plug
- Chrome-plated brass outlet grid
- Waste and trap body with overflow
- Profiled seal
- Odour trap of polypropylene, thermally and chemically resistant, longitudinally welded



Order number, Logistic information

| Code | EAN | Weight (piece packing palett) | Dimensions (piece packing) | Quantity (packing palett) |
|---------------|---------------|--------------------------------------|---------------------------------|--------------------------------|
| A564BLACK-100 | 8595580561437 | 100 mm 1,22 14,59 253,5 kg | 380x95x210 595x435x395 mm | 12 192 pcs |

Warranty 2/3 years * Norms EN 274

Technical specifications

- Resistance of odour trap against the pressure 588 Pa
- Flow rate 48,6 l/min
- Overflow flow rate 33,6 l/min
- Thermal resistance 95 °C
- Odour trap 50 mm