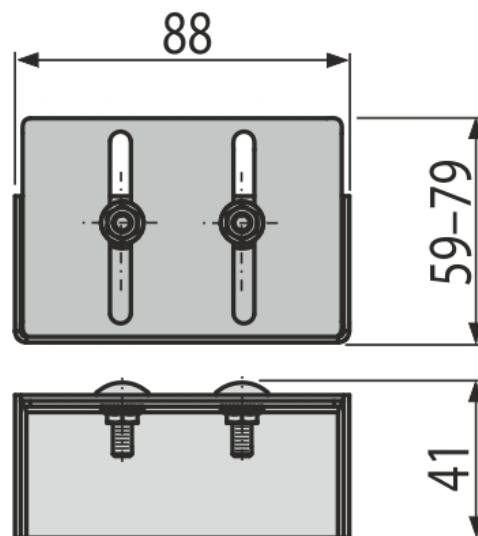


ADZ-P011

End cap for drainage channel 75 mm, stainless steel



Application

For drainage channel

Features

- Material: stainless steel AISI 304, DIN 1.4301
- To end the drainage channel

Scope of supply

- End cap
- Screws and nuts for fixing the end cap to the drain channel 2 pcs

Order number, Logistic information

Code	EAN	Weight (piece packing palett)	Dimensions (piece packing)	Quantity (packing palett)
ADZ-P011	8595580561505	0,16 0,16 - kg	88x59x41 mm	1 - pc

Warranty
2/2 years *

Customs code
73269098