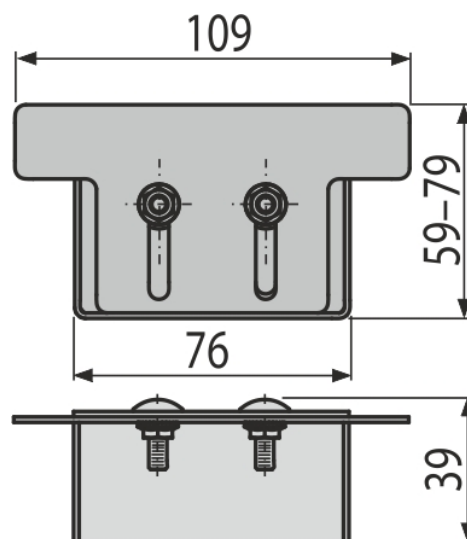


# ADZ-P012

End cap for drainage channel 100 mm, stainless steel



### Application

For drainage channel

### Features

- Material: stainless steel AISI 304, DIN 1.4301
- To end the drainage channel

### Scope of supply

- End cap
- Screws and nuts for fixing the end cap to the drain channel 2 pcs

### Order number, Logistic information

Code	EAN	Weight (piece   packing   palett)	Dimensions (piece   packing)	Quantity (packing   palett)
ADZ-P012	8595580561512	0,14   0,14   - kg	109x59x39   mm	1   - pc

### Warranty

2/2 years \*