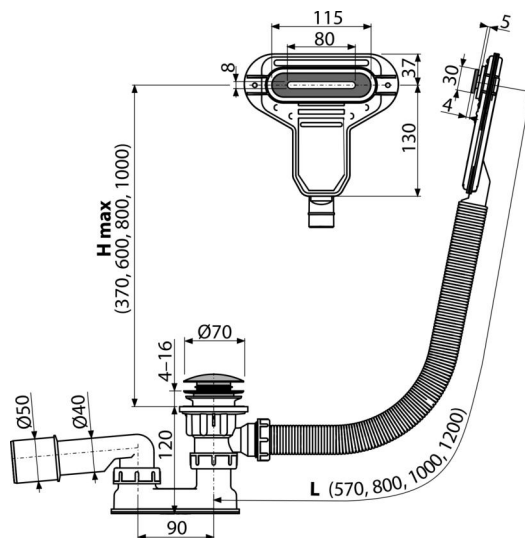


A516CKM

Bath CLICK/CLACK waste and trap with flat overflow, chrome



Application

To drain the water from the bath to the waste
For design thin-walled freestanding bathtubs
For bathtubs with drain outlet Ø52 mm
For standard size bathtubs

Features

- The length of the bathtub trap 57 cm
- Overflow flexi pipe
- Reduced installation height
- Easy clean CLICK/CLACK
- Closing waste by CLICK/CLACK
- Bath waste and overflow system
- Wet odour trap with swivel elbow

Scope of supply

- Assembly kit
- Chrome-plated metal grid and overflow cover
- Chrome-plated metal plug
- Chrome-plated brass outlet
- Waste and trap body with overflow
- Profiled seal
- Odour trap of polypropylene, thermally and chemically resistant

Order number, Logistic information

Code	EAN	Weight (piece packing palett)	Dimensions (piece packing)	Quantity (packing palett)
A516CKM	8595580561826	0,71 14,24 247,8 kg	220x360x75 590x430x390 mm	20 320 pcs

Warranty

2/3 years *

Technical specifications

- Resistance of odour trap against the pressure 588 Pa
- Flow rate 48,6 l/min
- Overflow flow rate 27 l/min
- Thermal resistance 95 °C
- Odour trap 50 mm