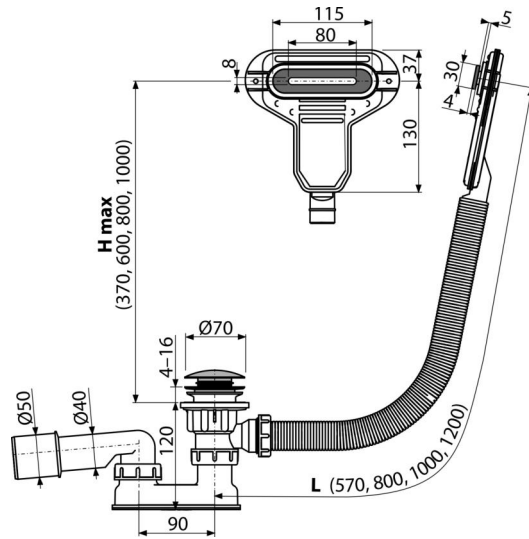


A516CKM-80

Bath CLICK/CLACK waste and trap with flat overflow, chrome



Application

To drain the water from the bath to the waste
 For design thin-walled freestanding bathtubs
 For bathtubs with drain outlet Ø52 mm
 For standard size bathtubs

Features

- The length of the bathtub trap 80 cm
- Overflow flexi pipe
- Reduced installation height
- Easy clean CLICK/CLACK
- Closing waste by CLICK/CLACK
- Bath waste and overflow system
- Wet odour trap with swivel elbow

Scope of supply

- Assembly kit
- Chrome-plated metal grid and overflow cover
- Chrome-plated metal plug
- Chrome-plated brass outlet
- Waste and trap body with overflow
- Profiled seal
- Odour trap of polypropylene, thermally and chemically resistant

Order number, Logistic information

| Code | EAN | | Weight (piece packing palett) | Dimensions (piece packing) | Quantity (packing palett) |
|------------|---------------|-------|--------------------------------------|---------------------------------|--------------------------------|
| A516CKM-80 | 8595580561888 | 80 mm | 0,76 9,13 166,1 kg | 220×360×75 590×430×390 mm | 12 192 pcs |

Warranty

2/3 years *

Technical specifications

- Resistance of odour trap against the pressure 588 Pa
- Flow rate 48,6 l/min
- Overflow flow rate 27 l/min
- Thermal resistance 95 °C
- Odour trap 50 mm