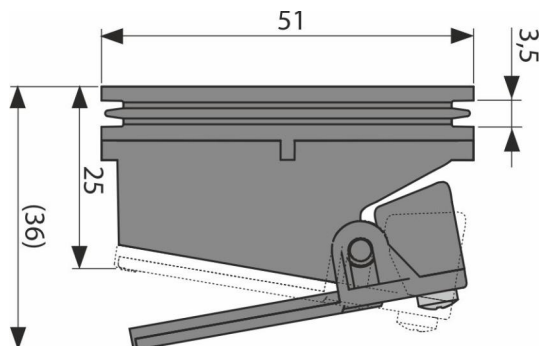


P143

Combined odour trap SMART for APZ-S6



Application

For areas that are expected to have low usage of the shower enclosure
For trap APZ-S6 and floor drain APV110

Features

- Material: polypropylene resistant to mechanical, chemical and thermal damage
- Mechanical closure and the water column prevent the penetration of odours from the sewer

Order number, Logistic information

Code	EAN	Weight (piece packing palett)	Dimensions (piece packing)	Quantity (packing palett)
P143	8595580562298	0,03 0,03 - kg	51x51x36 - mm	1 - pc

Warranty
2/2 years *

Customs code
39269097