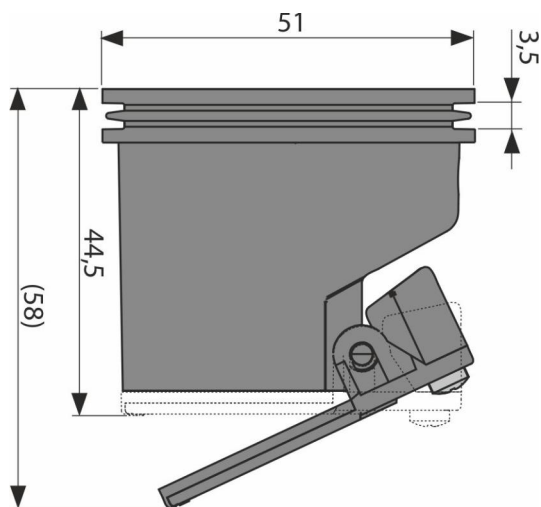


P144

Combined odour trap SMART for APZ-S9



Application

For areas that are expected to have low usage of the shower enclosure
For trap APZ-S9 and floor drain APV120

Features

- Material: polypropylene resistant to mechanical, chemical and thermal damage
- Mechanical closure and the water column prevent the penetration of odours from the sewer

Order number, Logistic information

| Code | EAN | Weight (piece packing palett) | Dimensions (piece packing) | Quantity (packing palett) |
|------|---------------|--------------------------------------|---------------------------------|--------------------------------|
| P144 | 8595580562304 | 0,04 0,04 - kg | 51x51x44,5 52x52x45 mm | 1 - pc |