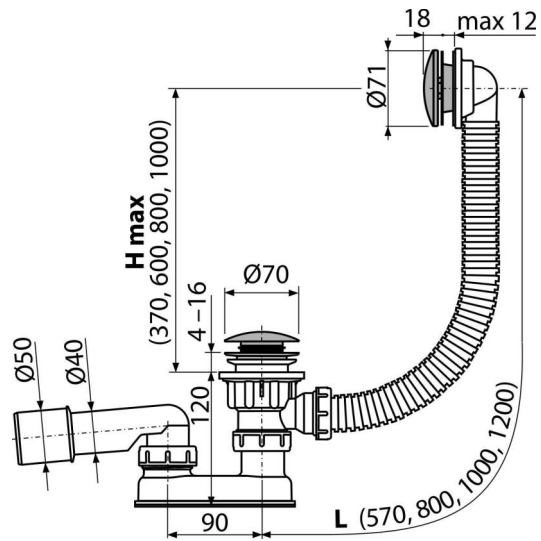


A504CKM

Bath CLICK/CLACK waste and trap, metal



Application

To drain the water from the bath to the waste
For bathtubs with drain outlet Ø52 mm
For standard size bathtubs

Features

- The length of the bathtub trap 57 cm
- Overflow flexi pipe
- Easy clean trap – thanks to completely removable waste outlet
- Closing waste by CLICK/CLACK
- Bath waste and overflow system
- Wet odour trap with swivel elbow

Scope of supply

- Waste outlet wrench 6/4"
- Assembly kit
- Chrome-plated metal grid and overflow cover
- Chrome-plated metal plug
- Chrome-plated brass outlet
- Waste and trap body with overflow
- Profiled seal
- Odour trap of polypropylene, thermally and chemically resistant, longitudinally welded

Order number, Logistic information

Code	EAN	Weight (piece packing palett)	Dimensions (piece packing)	Quantity (packing palett)
A504CKM	8595580562540	0,74 14,75 256,0 kg	330×120×220 590×430×390 mm	20 320 pcs

Warranty

2/3 years *

Norms

EN 274

Technical specifications

- Resistance of odour trap against the pressure 588 Pa
- Flow rate 48,6 l/min
- Overflow flow rate 42 l/min
- Thermal resistance 95 °C
- Odour trap 50 mm