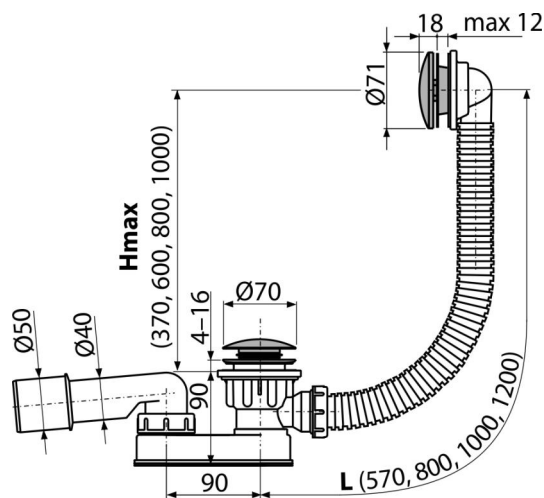


A507CKM-80

Bath CLICK/CLACK waste and trap, metal



Application

To drain the water from the bath to the waste
For bathtubs with drain outlet Ø52 mm
For standard size bathtubs

Features

- The length of the bathtub trap 80 cm
- Overflow flexi pipe
- Easy clean trap – thanks to completely removable waste outlet
- Reduced installation height
- Closing waste by CLICK/CLACK
- Bath waste and overflow system
- Wet odour trap with swivel elbow

Scope of supply

- Assembly kit
- Chrome-plated metal grid and overflow cover
- Chrome-plated metal plug
- Chrome-plated brass outlet
- Waste and trap body with overflow
- Profiled seal
- Odour trap of polypropylene, thermally and chemically resistant

Order number, Logistic information

Code	EAN		Weight (piece packing palett)	Dimensions (piece packing)	Quantity (packing palett)
A507CKM-80	8595580562588	80 mm	0,75 11,31 201,0 kg	370x100x200 595x435x395 mm	15 240 pcs

Warranty

2/3 years *

Technical specifications

- Resistance of odour trap against the pressure 588 Pa
- Flow rate 48,6 l/min
- Overflow flow rate 42 l/min
- Thermal resistance 95 °C