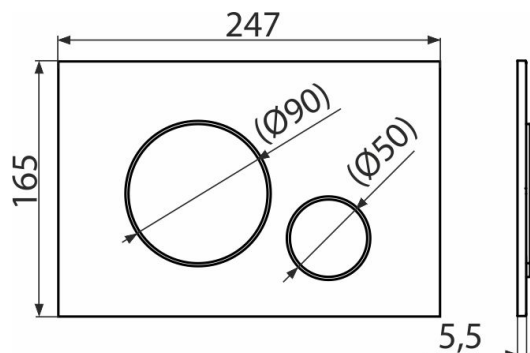


# M671

Flush plate for pre-wall installation systems, chrome-polished



### Application

For pre-wall installation systems and concealed WC cisterns

### Features

- Double-acting mechanical flushing
- Compatible for all pre-wall installation systems and cisterns for building into solid walls Alca
- Material: plastic
- Surface finish: chrome-polished
- The flush plate thanks to its profile stands out only 5.5 mm above the tiles

### Scope of supply

- Template for correct flush plate setup
- Flushing mechanism screws 2 pcs
- Flush plate
- Fixing frame of the flush plate
- Threaded frame clamp 2 pcs

### Order number, Logistic information

Code	EAN	Weight (piece   packing   palett)	Dimensions (piece   packing)	Quantity (packing   palett)
M671	8595580562670	0,36   8,89   268,9 kg	250×170×36   595×395×245 mm	25   700 pcs

### Warranty

2/2 years \*

### Technical specifications

- Operating force < 20 N