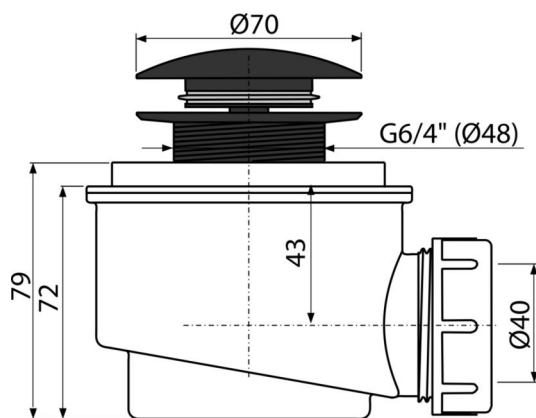


# A465BLACK-50

Shower waste and trap **CLICK/CLACK**, black-matt



### Application

To drain the water from the shower trays  
For shower trays with a drain outlet Ø50 mm

### Features

- Color: black-matt
- Material: polypropylene, thermally and chemically resistant, longitudinally welded
- Waste can be connected using elbow A52
- Self-cleaning design of trap
- Building height 79 mm
- Easy clean CLICK/CLACK
- Closing waste by CLICK/CLACK

### Scope of supply

- Waste outlet wrench 6/4"
- Metal plug and waste outlet with black-matt finish
- Assembly kit
- Waste and trap body

### Order number, Logistic information

Code	EAN	Weight (piece   packing   palett)	Dimensions (piece   packing)	Quantity (packing   palett)
A465BLACK-50	8595580562717	50 mm 0,40   11,96   355,0 kg	125×105×105   595×245×395 mm	30   840 pcs

Warranty	Customs code	Norms
2/3 years *	39229000	EN 274

### Technical specifications

- Resistance of odour trap against the pressure 588 Pa
- Flow rate 48,6 l/min
- Thermal resistance 95 °C
- Odour trap 50 mm