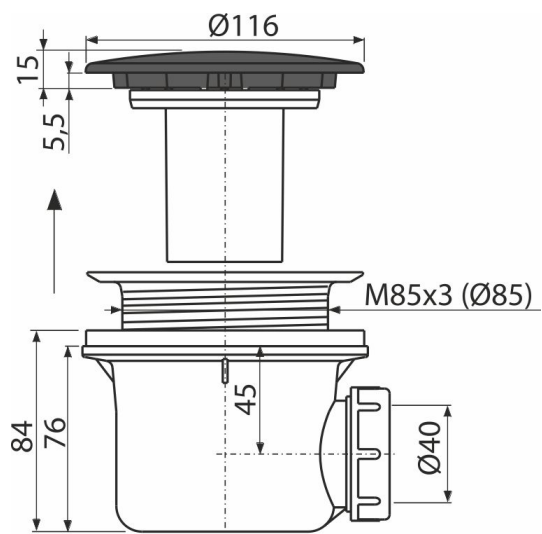


A49BLACK

Shower waste and trap, black-matt



Application

To drain the water from the shower trays
 For shower trays without overflow
 For shower trays with a drain outlet Ø90 mm

Features

- Color: black-matt
- Material: polypropylene, thermally and chemically resistant, longitudinally welded
- Waste can be connected using elbow A52
- Fully cleanable up to the waste pipe
- Building height 84 mm

Scope of supply

- Metal waste and trap cover with black-matt finish
- Assembly kit
- Waste and trap body

Order number, Logistic information

| Code | EAN | Weight (piece packing palett) | Dimensions (piece packing) | Quantity (packing palett) |
|----------|---------------|--------------------------------------|---------------------------------|--------------------------------|
| A49BLACK | 8595580563455 | 0,42 10,10 302,8 kg | 150x110x140 590x240x390 mm | 24 672 pcs |

| Warranty | Customs code | Norms |
|-------------|--------------|--------|
| 2/3 years * | 39229000 | EN 274 |

Technical specifications

- Flow rate 43 l/min
- Thermal resistance 95 °C
- Odour trap 50 mm