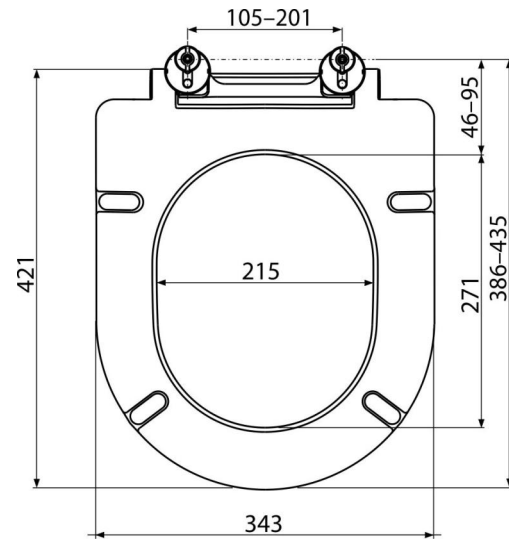


# A678S

WC seat Duroplast



### Application

For WC ALCA MEDIC

### Features

- Colour-stable material
- Color: white
- CLICK system – easy to clean the ceramic due to the simple seat removal function
- Metal hinges with a white plastic cap universally adjustable in two axes
- Material: duroplast with antibacterial properties (achieved via silver compounds)
- Possibility of tightening the hinge from above with a screwdriver

### Scope of supply

- Hinges P157
- WC seat

### Order number, Logistic information

Code	EAN	Weight (piece   packing   palett)	Dimensions (piece   packing)	Quantity (packing   palett)
A678S	8595580563974	1,40   7,02   188,6 kg	58x445x360   mm	5   120 pcs

<b>Warranty</b> 2/2 years *	<b>Customs code</b> 39222000	<b>Norms</b> DIN 19516
--------------------------------	---------------------------------	---------------------------