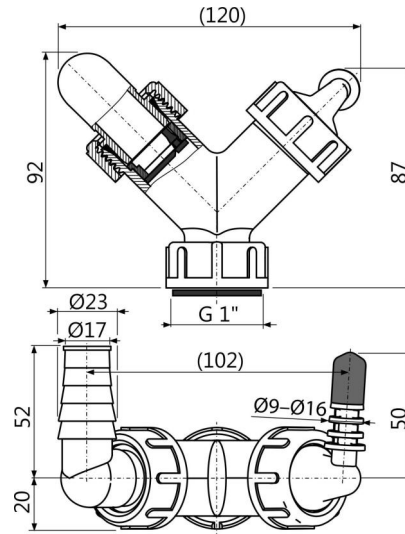


C149Z

Double connector G1"/8-23 with return valves



Application

For the connection of up to two appliances
 For washing machines and other traps
 Connects various appliances to the waste pipe

Features

- Two connectors for various electrical appliances – washing machines, dishwashers, dryers, boilers, air conditioning, heat recovery, etc.
- Material: polypropylene
- Nut G1" for connecting to trap
- The barrier directs the flow of water, reducing the risk of back flow into the second connector
- The red plug is used for blinding the connector if it is not used.
- Return valve prevents the backflow of water, this solution is suitable for systems that lack their own return valves

Scope of supply

- Elbow 17-23 mm - 1 pc, Elbow 8-16 mm 1 pc
- Connector body
- Seal
- Connector seals 2 pcs
- Plug 1 pc
- Return valve 2 pcs

Order number, Logistic information

Code	EAN	Weight (piece packing palett)	Dimensions (piece packing)	Quantity (packing palett)
C149Z	8595580564599	0,10 5,07 142,0 kg	120x72x92 590x390x240 mm	70 1960 pcs

Warranty

2/2 years

Technical specifications

- Hose connector 8-16 mm
- Hose connector 17-23 mm
- Thread for connection to the trap 1"