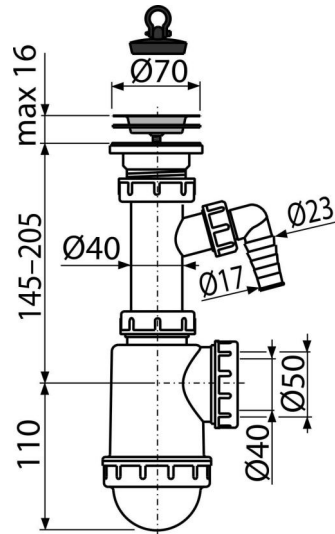


C441P

Sink waste and trap with stainless steel grid DN70 and connector



Application

For sink

Features

- Material: polypropylene
- With connector for washing machine or dishwasher
- Waste outlet ready for connection to drain pipe Ø50 mm or Ø40 mm

Scope of supply

- Stainless steel outlet grid
- Sink trap body with connector
- PVC plug

Order number, Logistic information

Code	EAN	Weight (piece packing palett)	Dimensions (piece packing)	Quantity (packing palett)
C441P	8595580564605	0,74 14,79 434,2 kg	280x90x160 590x240x390 mm	20 560 pcs

Warranty	Customs code	Norms
2/3 years	39229000	EN 274

Technical specifications

- Hose connector 17-23 mm
- Flow rate 44 l/min
- Thermal resistance 95 °C
- Odour trap 53 mm