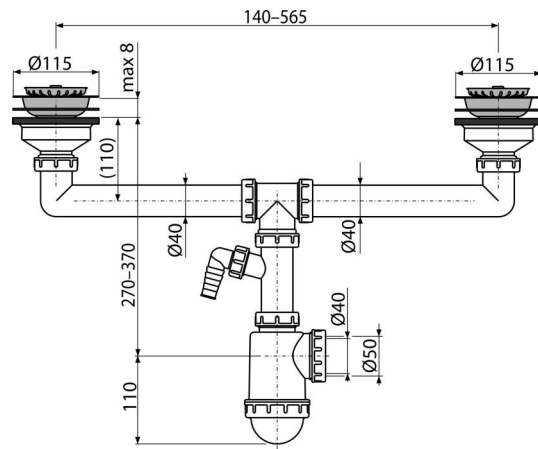


## C453P

Double sink wastes and trap with stainless steel grids DN115 and connector



### Application

For two-piece sinks

### Features

- Material: polypropylene
- With connector for washing machine or dishwasher
- Screen on the waste serves as a plug
- Waste outlet ready for connection to drain pipe  $\varnothing 50$  mm or  $\varnothing 40$  mm

### Scope of supply

- Stainless steel outlet grid 2 pcs
- Stainless steel plug 2 pcs
- Waste and trap body with two outlets and connector

### Order number, Logistic information

Code	EAN	Weight (piece   packing   palett)	Dimensions (piece   packing)	Quantity (packing   palett)
C453P	8595580564612	0,90   9,01   164,2 kg	400×120×220   590×240×390 mm	10   160 pcs

### Warranty

2/3 years

### Norms

EN 274

### Technical specifications

- Hose connector 17-23 mm
- Flow through two outlets 83,4 l/min
- Flow through one outlet 49,8 l/min
- Thermal resistance 95 °C
- Odour trap 50 mm