

# CPZ13-DOUBLE9-850 Fit and Go

## Shower drain

### Application

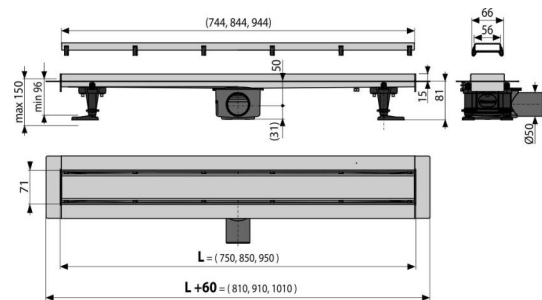
- For wheelchair access
- For drainage of floor-level showers
- For installation into open spaces or near the wall of the shower area
- For indoor use

### Features

- Design is determined by double-sided grid DOUBLE - from one side it is a full grid made of stainless steel and the other side has an option for embedding tiles or waterproof wood to the thickness of 12 mm
- Shower drain material: stainless steel 1.5 mm, AISI 304, DIN 1.4301
- Shower drain made from one piece of stainless steel sheet
- Linear drain from stainless steel (hardened by pickling, passivation and electrochemical polishing)
- Self-adhesive tape for quality waterproofing
- Gradient of inner part of the shower drain body
- Installation height 81 mm
- The shower drain body is protected by the polystyrene insert
- Adjustable height
- 25 years guarantee

### Scope of supply

- Dismantling hook
- Fixation set for attaching adjustable legs: screw 4.2x38 – 4 pcs, anchor – 4 pcs
- Comb for applying glue into the grid frame
- Installation channel cover
- Adjustable feet 4 pcs
- Two-sided grid DOUBLE (full grid or grid for embedding tiles)
- Protective foil covering for the drain edges and odour trap
- Self-adhesive waterproofing tape
- Trap for shower drain APZ-S9
- Linear shower drain



### Order number, Logistic information

Code	EAN	Weight (piece   packing   palett)	Dimensions (piece   packing)	Quantity (packing   palett)
CPZ13-DOUBLE9-850	8595580564681	3,56   71,24   233,7 kg	957x147x100   980x780x410 mm	20   60 pcs

Warranty	Customs code
2/25 years	39229000

### Technical specifications

- Load class K3 300 kg