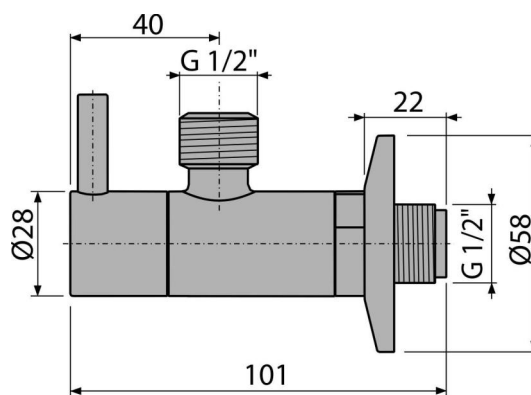
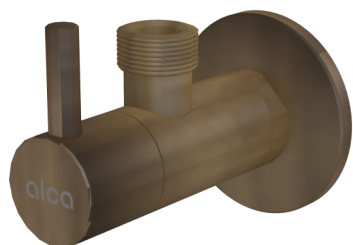


ARV003-ANTIC

Angle valve with a filter 1/2"×1/2", bronze-antic



Application

For installation on plaster
For the connection of deck mounted faucet

Features

- Design compatible with wash-basin trap A400, bronze-antic
- Round design
- Material: metal with bronze-antic finish
- Includes dirt filter

Scope of supply

- Metal rosette
- Valve

Order number, Logistic information

Code	EAN	Weight (piece packing palett)	Dimensions (piece packing)	Quantity (packing palett)
ARV003-ANTIC	8595580566449	0,21 12,54 371,1 kg	150×45×65 390×240×300 mm	60 1680 pcs

Warranty 2/3 years * **Customs code** 84818099

Technical specifications

- Hose connector G 1/2 "
- Thread G 1/2 "