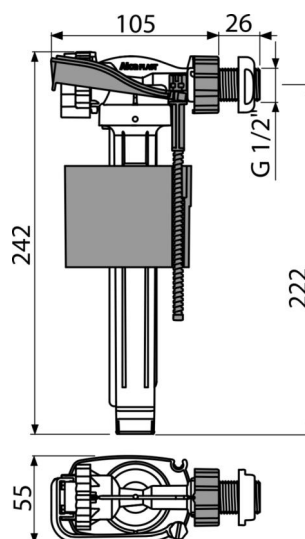


# A150P-1/2"

Side inlet fill valve for plastic WC cisterns



### Application

For installation on the side of the cistern  
For plastic cisterns  
For replacement

### Features

- Low sensitivity to the changing pressure in the water main
- Material: POM
- Adjustable water level
- Plastic thread length 26 mm
- Smooth closing without any shocks
- Built-in filter to trap dirt

### Scope of supply

- Nut 1/2" – white
- Strainer for dirt
- Valve

### Order number, Logistic information

| Code       | EAN           | Weight<br>(piece   packing   palett) | Dimensions<br>(piece   packing) | Quantity<br>(packing   palett) |
|------------|---------------|--------------------------------------|---------------------------------|--------------------------------|
| A150P-1/2" | 8595580566692 | 0,18   12,45   219,2 kg              | 235×130×60   590×430×390 mm     | 70   1120 pcs                  |

**Warranty** 2/6 years \*      **Customs code** 84818019      **Norms** EN 14124

### Technical specifications

- Acoustic group I <20 dB
- Recommended operating pressure 0,5-0,8 MPa
- Working range 0,05-1,6 MPa
- Thread diameter 1/2 "