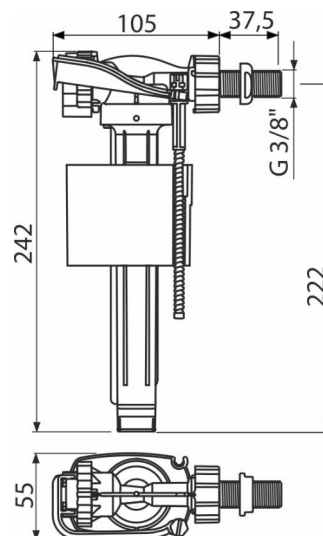


# A160-3/8"

Side inlet fill valve metal thread for ceramic WC cisterns



### Application

For installation on the side of the cistern  
For replacement  
Universal valve for ceramic WC cisterns

### Features

- Metal thread length 38 mm
- Low sensitivity to the changing pressure in the water main
- Material: POM
- Adjustable water level
- Smooth closing without any shocks
- Built-in filter to trap dirt

### Scope of supply

- Nut 3/8" – white
- Strainer for dirt
- Valve

### Order number, Logistic information

Code	EAN	Weight (piece   packing   palett)	Dimensions (piece   packing)	Quantity (packing   palett)
A160-3/8"	8595580566715	0,21   15,03   260,5 kg	235×145×60   590×430×390 mm	70   1120 pcs

**Warranty**  
2/6 years \*

**Norms**  
EN 14124

### Technical specifications

- Acoustic group I <20 dB
- Recommended operating pressure 0,5-0,8 MPa
- Working range 0,05-1,6 MPa
- Thread diameter 3/8 "