

A508CKM

Bath CLICK/CLACK waste and trap, overflow filler, chrome

Application

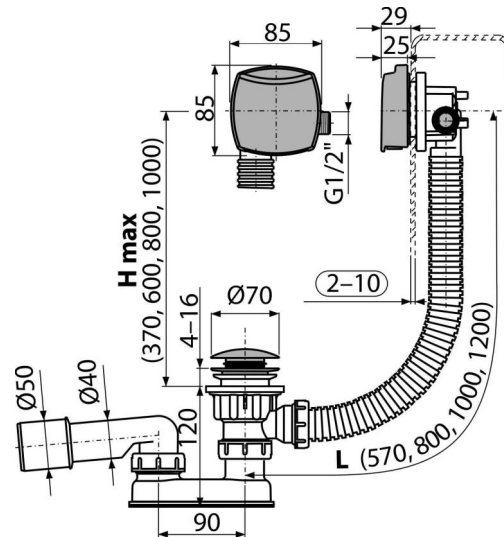
For filling the bath by overflow
 To drain the water from the bath to the waste
 For bathtubs with drain outlet Ø52 mm
 For standard size bathtubs

Features

- Side G1/2" fitting for filling of pre-mixed water
- The length of the bathtub trap 57 cm
- Overflow flexi pipe
- Easy installation with three stainless steel screws
- Space-saving design in the bathtub – only control knob visible
- Control shaft made of stainless steel
- Aerator Neoperl – easy access and exchange
- Easy clean trap – thanks to completely removable waste outlet
- Closing waste by CLICK/CLACK
- Bath overflow filler, waste and trap system
- Water does not flow down on the side of the bathtub and does not leave marks
- Wet odour trap with swivel elbow

Scope of supply

- Assembly kit
- Chrome-plated metal plug
- Chrome-plated brass outlet
- Chrome-plated plastic control knob
- Waste and trap body with overflow
- Profiled seal
- Odour trap of polypropylene, thermally and chemically resistant, longitudinally welded



Order number, Logistic information

Code	EAN	Weight (piece packing palett)	Dimensions (piece packing)	Quantity (packing palett)
A508CKM	8595580567040	0,97 11,68 206,9 kg	380x95x210 595x435x395 mm	12 192 pcs

Warranty 2/3 years * Norms EN 274

Technical specifications

- Resistance of odour trap against the pressure 588 Pa
- Flow rate 48,6 l/min
- Overflow flow rate 33,6 l/min
- Thermal resistance 95 °C
- Odour trap 50 mm