

# A508CKM-100

Bath CLICK/CLACK waste and trap, overflow filler, chrome

## Application

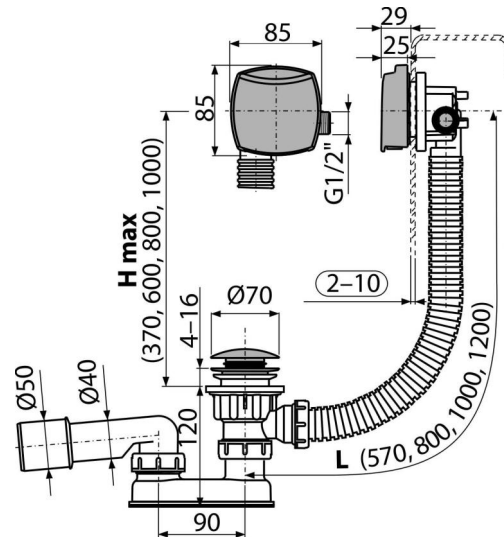
For filling the bath by overflow  
 To drain the water from the bath to the waste  
 For bathtubs with drain outlet Ø52 mm  
 For standard size bathtubs

## Features

- Side G1/2" fitting for filling of pre-mixed water
- The length of the bathtub trap 100 cm
- Overflow flexi pipe
- Easy installation with three stainless steel screws
- Space-saving design in the bathtub – only control knob visible
- Control shaft made of stainless steel
- Aerator Neoperl – easy access and exchange
- Easy clean trap – thanks to completely removable waste outlet
- Closing waste by CLICK/CLACK
- Bath overflow filler, waste and trap system
- Water does not flow down on the side of the bathtub and does not leave marks
- Wet odour trap with swivel elbow

## Scope of supply

- Assembly kit
- Chrome-plated metal plug
- Chrome-plated brass outlet
- Chrome-plated plastic control knob
- Waste and trap body with overflow
- Profiled seal
- Odour trap of polypropylene, thermally and chemically resistant, longitudinally welded



## Order number, Logistic information

Code	EAN	Weight (piece   packing   palett)	Dimensions (piece   packing)	Quantity (packing   palett)
A508CKM-100	8595580567064	100 mm 1,02   12,19   215,0 kg	380x95x210   595x435x395 mm	12   192 pcs

Warranty 2/3 years \* Norms EN 274

## Technical specifications

- Resistance of odour trap against the pressure 588 Pa
- Flow rate 48,6 l/min
- Overflow flow rate 33,6 l/min
- Thermal resistance 95 °C
- Odour trap 50 mm