

A509CKM-120

Bath CLICK/CLACK waste and trap, overflow filler, for thick-walled bathtubs, chrome

Application

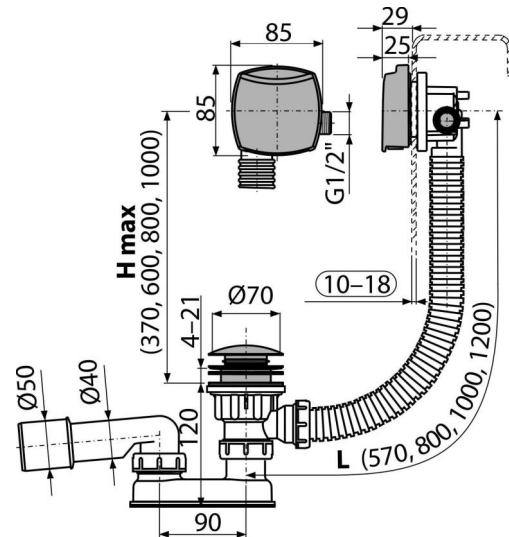
- For filling the bath by overflow
- To drain the water from the bath to the waste
- For thick-walled bathtubs
- For bathtubs with drain outlet Ø52 mm

Features

- Side G1/2" fitting for filling of pre-mixed water
- The length of the bathtub trap 120 cm
- Overflow flexi pipe
- Easy installation with three stainless steel screws
- Space-saving design in the bathtub – only control knob visible
- Control shaft made of stainless steel
- Aerator Neoperl – easy access and exchange
- Easy clean trap – thanks to completely removable waste outlet
- Closing waste by CLICK/CLACK
- Bath overflow filler, waste and trap system
- Water does not flow down on the side of the bathtub and does not leave marks
- Wet odour trap with swivel elbow

Scope of supply

- Assembly kit
- Chrome-plated metal plug
- Chrome-plated brass outlet
- Chrome-plated plastic control knob
- Waste and trap body with overflow
- Profiled seal
- Odour trap of polypropylene, thermally and chemically resistant, longitudinally welded



Order number, Logistic information

Code	EAN	Weight (piece packing palett)	Dimensions (piece packing)	Quantity (packing palett)
A509CKM-120	8595580567101	120 mm 1,03 12,41 218,6 kg	380x95x210 595x435x395 mm	12 192 pcs

Warranty

2/3 years *

Norms

EN 274

Technical specifications

- Resistance of odour trap against the pressure 588 Pa
- Flow rate 48,6 l/min
- Overflow flow rate 33,6 l/min
- Thermal resistance 95 °C
- Odour trap 50 mm