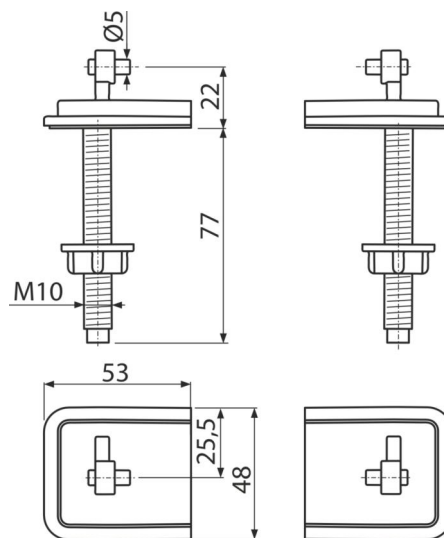


P170

Hinges for A6550, A6551



Application

For toilet seats A6550, A6551

Features

Scope of supply

- Seat hinge – 2 pcs
- Plastic screw with nut 2 pcs
- Hinge sealing – 2 pcs

Order number, Logistic information

Code	EAN	Weight (piece packing palett)	Dimensions (piece packing)	Quantity (packing palett)
P170	8595580568597	0,12 0,12 - kg	110x60x50 - mm	1 - pc

Warranty
2/2 years *

Customs code
39269097