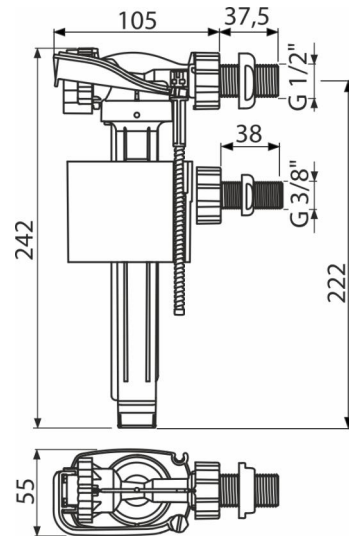


## C150UNI

Side inlet fill valve, universal



### Application

- For installation on the side of the cistern
- For pre-wall installation systems
- For replacement
- Universal valve for plastic and ceramic flushing cisterns

### Features

- Low sensitivity to the changing pressure in the water main
- Material: POM
- Adjustable water level
- Plastic thread length 38 mm
- Smooth closing without any shocks
- Built-in filter to trap dirt

### Scope of supply

- Bayonet 1/2" with nut
- Bayonet 3/8" with nut
- Strainer for dirt
- Valve

### Order number, Logistic information

Code	EAN	Weight (piece   packing   palett)	Dimensions (piece   packing)	Quantity (packing   palett)
C150UNI	8595580569419	0,54   37,74   623,8 kg	235x145x60   590x430x390 mm	70   1120 pcs

Warranty	Customs code	Norms
2/6 years	84818019	EN 14124

### Technical specifications

- Acoustic group I <20 dB
- Recommended operating pressure 0,5-0,8 MPa
- Working range 0,05-1,6 MPa
- Thread diameter 1/2 "
- Thread diameter 3/8 "